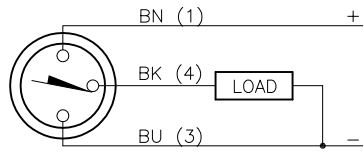


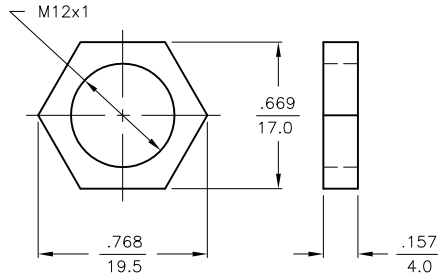
WIRING DIAGRAM



OUTPUT: AP6X

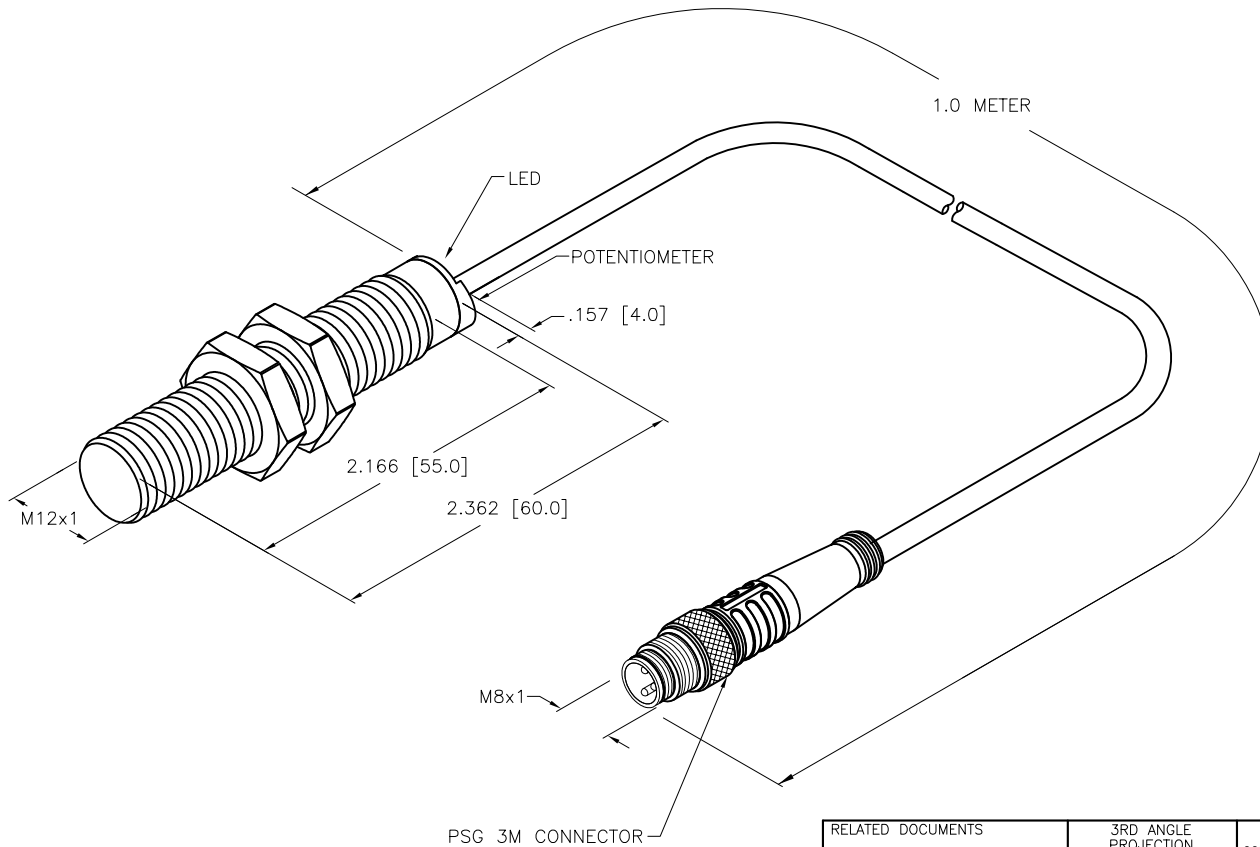
SHORT-CIRCUIT AND OVERLOAD PROTECTED

LOCKNUT LN-M12



SPECIFICATIONS

RATED OPERATING DISTANCE	3mm [.118]
MOUNTING MODE	FLUSH or NON-FLUSH
TEMPERATURE DRIFT	±20%
HYSTERESIS	2-20%
MIN. REPEAT ACCURACY	±2%
OPERATING TEMPERATURE	-25°C to +70°C (-13°F to +158°F)
RATED OPERATIONAL VOLTAGE	10-30 VDC
RESIDUAL RIPPLE	≤ 10%
DC RATED OPERATIONAL CURRENT	≤ 200 mA
NO-LOAD CURRENT	≤ 15 mA
RESIDUAL CURRENT	≤ 0.1 mA
MAX. SWITCHING FREQUENCY	≤ 0.1 kHz
RATED INSULATION VOLTAGE	≤ 0.5 kV
OUTPUT FUNCTION	3-WIRE, NORMALLY OPEN, PNP
SHORT-CIRCUIT PROTECTION	YES
MAX. VOLTAGE DROP	≤ 1.8 V
WIRE BREAKAGE PROTECTION	INCORPORATED
REVERSE POLARITY PROTECTION	INCORPORATED
HOUSING MATERIAL	BRASS, CHROME PLATED
ACTIVE FACE	PLASTIC, ABS
CABLE	∅4.0, PVC
VIBRATION RESISTANCE	55 Hz (IN ALL 3 PLANES)
SHOCK RESISTANCE	30 g, 11 ms
DEGREE OF PROTECTION	IP 67
SWITCHING STATUS INDICATION	LED, YELLOW



SOURCE DRAWING - FOR REFERENCE ONLY

RELATED DOCUMENTS		3RD ANGLE PROJECTION		THIS DRAWING IS CONFIDENTIAL AND THE PROPERTY OF TURCK INC. USE OF THIS DOCUMENT WITHOUT WRITTEN PERMISSION IS PROHIBITED.		3000 CAMPUS DRIVE MINNEAPOLIS, MN 55441 1-800-544-7769 (763) 553-7300 (763) 553-0708 fax www.turck.us	
1.				DRFT	RDS	DATE	12/17/12
2.				APVD	K.H.	SCALE	1=1.0
3.		ALL DIMENSIONS DISPLAYED ON THIS DRAWING ARE FOR REFERENCE ONLY				DESCRIPTION	
4.		CONTACT TURCK FOR MORE INFORMATION				BC 3-M12-AP6X-1M-PSG3M	
MATERIAL		FINISH		UNIT OF MEASUREMENT		IDENTIFICATION NO.	
SEE NOTES		SEE NOTES		INCH [MILLIMETER]		26010000	
REV		BY	DATE	ECO NO.	DO NOT SCALE THIS DRAWING		FILE: 26010000
C	UPDATE ID NUMBER PER HARMONIZATION PROJECT	CBM	11/06/17		SHEET 1 OF 1		REV C